

**AROUND YOUR SUCCESS**  
**THE QUALITY OF THE PROCESS**



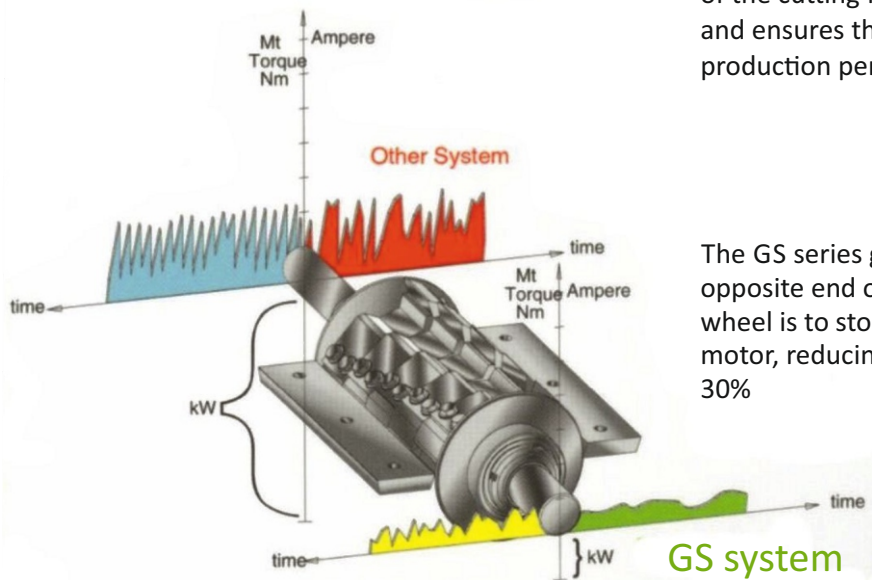
In the sector of recovery of waste materials and plastic runners, the range of GS granulators is characterized by the high quality and homogeneity of the ground product.

**GS GRANULATORS**  
**30% REDUCING POWER SYSTEM**

The cutting chamber is based on a low-rpm multi-blade system, which reduces to the minimum the production of dust and the noise.

The application of the patented GS system, for the management of the cutting force, optimizes the performance of the granulator and ensures the minimum consumption with the maximum production performance.

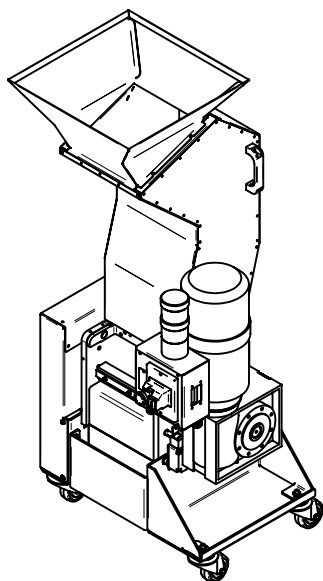
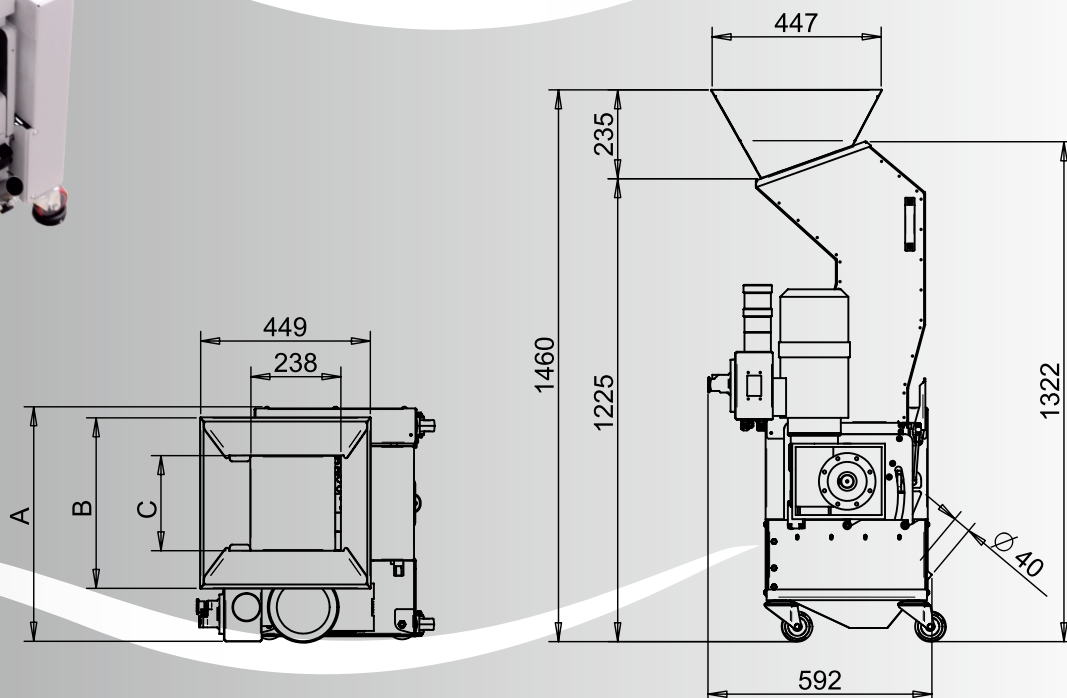
The GS series granulators incorporate a fly-wheel mounted on the opposite end of the rotor to the drive motor. The effect of this fly wheel is to store rotational energy and boost the torque of the drive motor, reducing the power requirement of the granulator by approx. 30%





## FEATURES:

- Low Rotor Speed
- Direct-Drive Geared Motor - no drive belts
- Flywheel System - 30% Less Power Required
- High Quality, Robust Construction
- Easy Opening and Excellent Access for Cleaning
- Small Footprint
- Low Sound-Level
- Variety of Standard Feed Hoppers
- Auger Feed Option
- Hardened Blades and Screen Option
- Customised To Suit Special Requirements
- Certified to CE standards



| MODELLO / MODEL  |   | GS25          | GS35          |
|--|---|---------------|---------------|
| Tensione e Frequenza (V-Hz)<br><i>Voltage and Frequency (V-Hz)</i> |   | 400 - 50      | 400 - 50      |
| Potenza motore (kW)<br><i>Motor power (kW)</i>                     |   | 1,5           | 1,5           |
| Velocità rotore (rpm)<br><i>Rotor speed (rpm)</i>                  |   | 220           | 220           |
| Fori griglia (mm)<br><i>Standard screens (mm)</i>                  |   | 4-6-8         | 4-6-8         |
| Camera di taglio (mm)<br><i>Cutting chamber (mm)</i>               |   | 180 x 250     | 180 x 350     |
| Foro tramoggia (mm)<br><i>Feed opening (mm)</i>                    |   | 450 x 450     | 450 x 550     |
| Capacità cassetto (litri)<br><i>Bin Capacity (litre)</i>           |   | 21            | 30            |
| Lame rotanti (N°)<br><i>Cutting Blades (No.)</i>                   |   | 15 + 2 static | 21 + 2 static |
| Dimensioni (mm)<br><i>Dimensions (mm)</i>                          | A | 620           | 720           |
|  | B | 450           | 550           |
|  | C | 250           | 350           |
| Rumorosità massima (dBA)<br><i>Noise max level (dBA)</i>           |   | < 80          | < 80          |
| Peso (kg)<br><i>Weight (kg)</i>                                    |   | 230           | 280           |